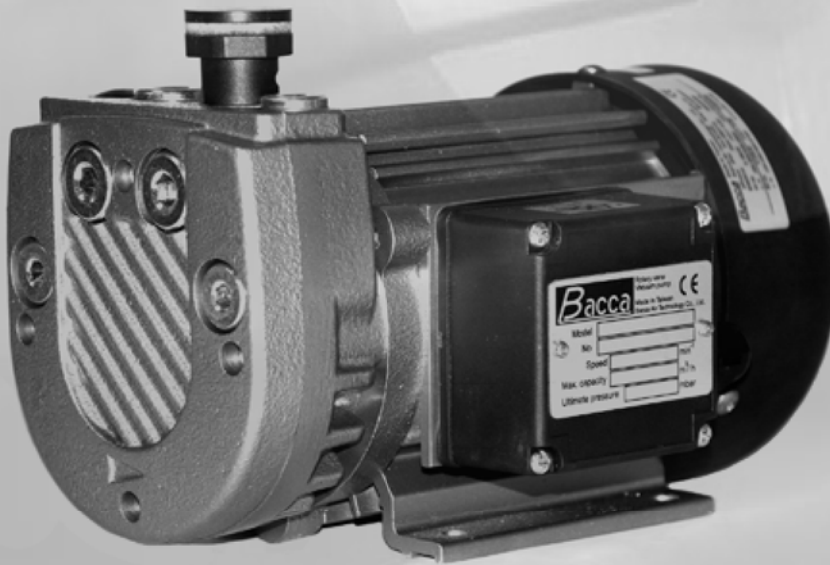


# Rotary Vane Vacuum Pumps

VRT4.04

VRT4.08

Oil Free



Air Cooled Design

Zepher UK Ltd  
Unit 2 Radnor Park Trading Estate  
Back Lane Congleton  
Cheshire CW12 4XJ  
Tel: 01260 272800  
Fax: 01260 272444

# Rotary Vane Vacuum Pumps

## VRT4.04 VRT4.08

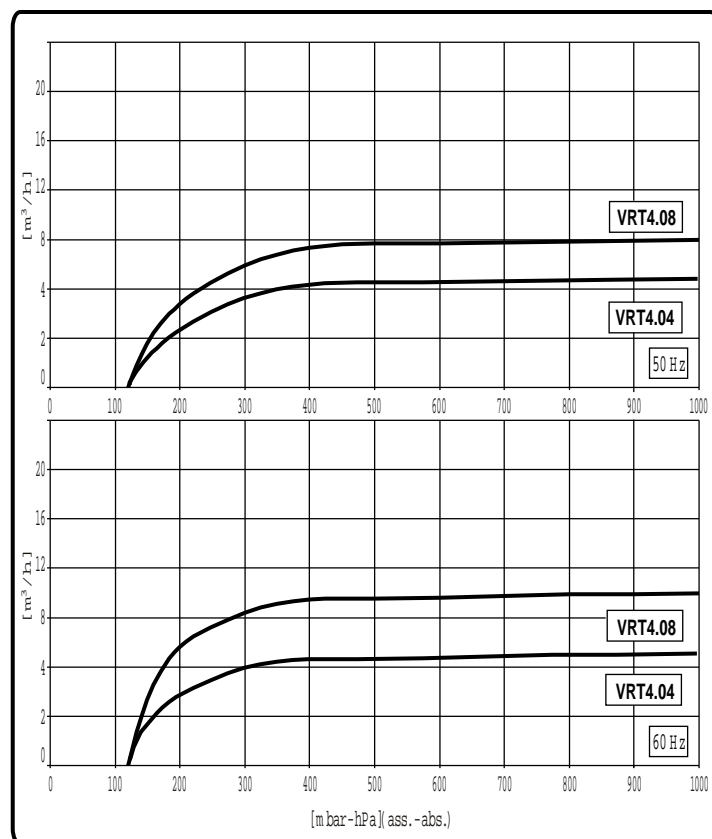


- Extremely reliable for many industrial applications
- Less vanes than other rotary vane vacuum pumps
- Longer vane life and less vane replacement
- Heavy duty construction
- Compact design, small footprint
- Low noise level
- Air cooled design
- Direct drive
- Easy to install

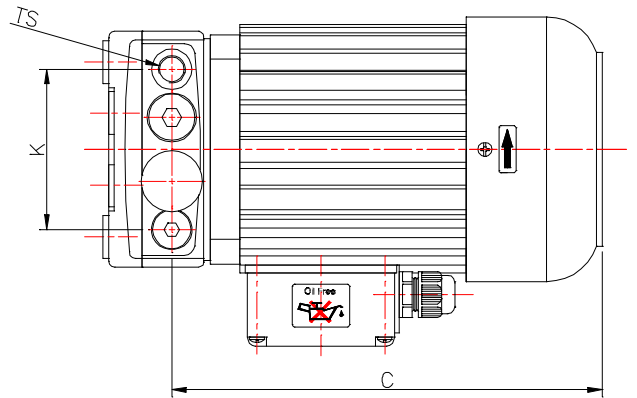
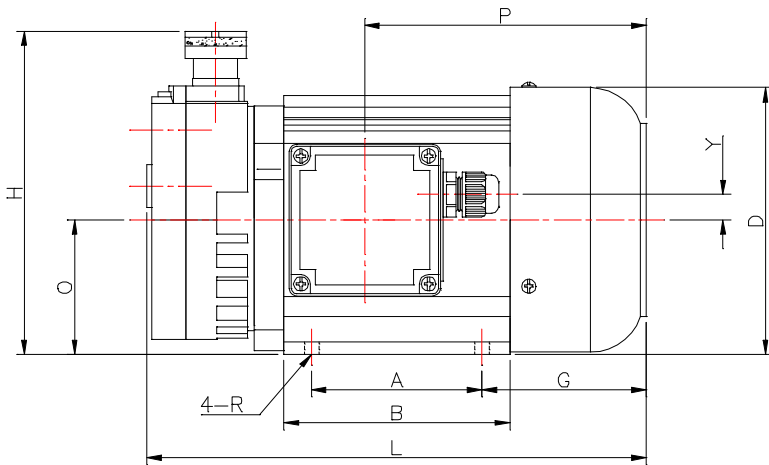
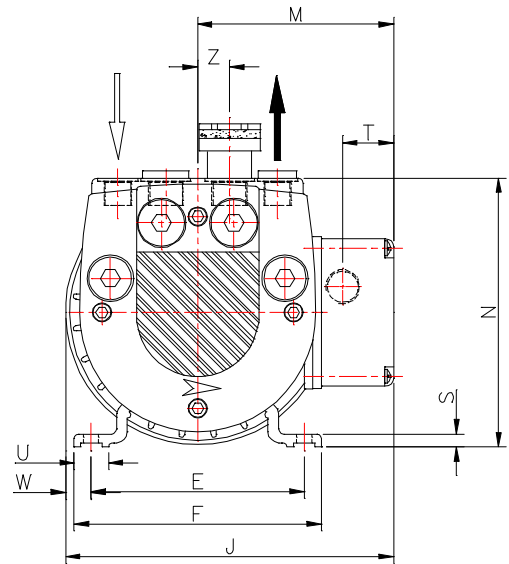


Model		VRT4.04		VRT4.08	
		50Hz	60Hz	50Hz	60Hz
Speed	m <sup>3</sup> /h	4	4	8	8
Pressure	m bar hPa	150			
Power	(3~)kW	0,18	0,22	0,35	0,42
Rpm	n/m in	1400	1700	1400	1700
Noise (1 Metre)	dB(A)	59	61	60	61
Operating Temp *	°C	70÷73	75÷80	70÷73	72÷75
Weight	kg	7,5		12	
Connection		1/4" G		3/8" G	

(\*) Ambient temperature 20°C



## Dimensions



Model	A	B	C	D	E	F	G	H	J	K	L	M	N	O	P	R	S	T	U	W	Y	Z	TS
VRT 404	80	106	202	125	100	116	77	151	154	75	234	92	126	63	132	∅7	6	24	16	12	12	15	PF 1/4
VRT 408	80	106	209	125	100	116	77	158	155	79	244	93	133	63	132	∅7	6	24	16	12	12	15.5	PF 3/8

Zepher UK Ltd  
Unit 2 Radnor Park Trading Estate  
Back Lane Congleton  
Cheshire CW12 4XJ  
Tel: 01260 272800  
Fax: 01260 272444

## Rotary Vane Vacuum Pumps Oil free

VRT4.10



Air Cooled Design

Zepher UK Ltd  
Unit 2 Radnor Park Trading Estate  
Back Lane Congleton  
Cheshire CW12 4XJ  
Tel: 01260 272800  
Fax: 01260 272444

# Rotary Vane Vacuum Pumps

## VRT4.10

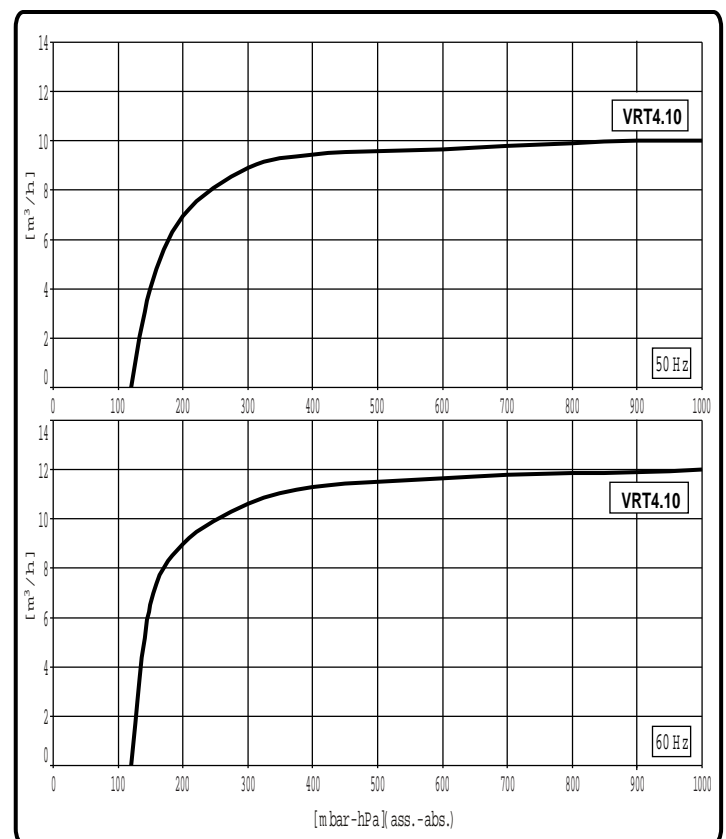


- Extremely reliable for many industrial applications
- Less vanes than other rotary vane vacuum pumps
- Longer vane life and less vane replacement
- Heavy duty construction
- Compact design, small footprint
- Low noise level
- Air cooled design
- Direct drive
- Easy to install

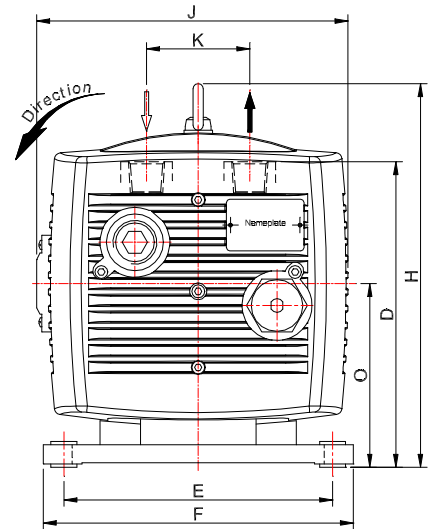
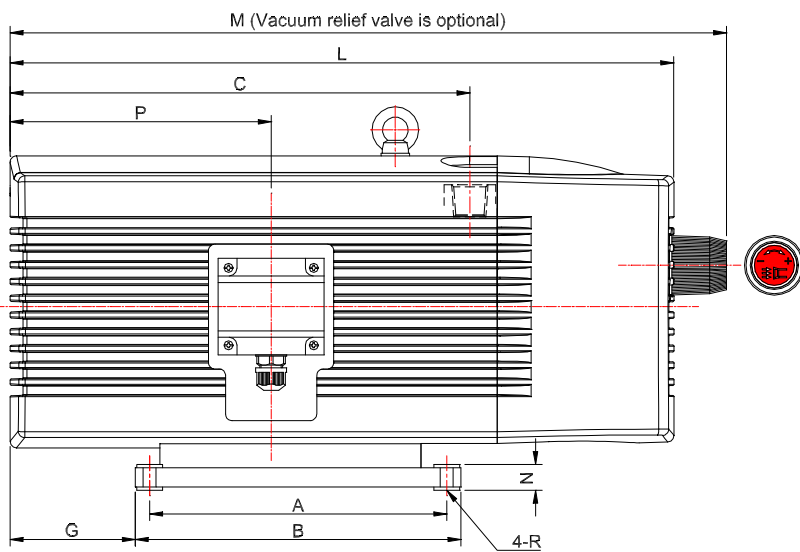
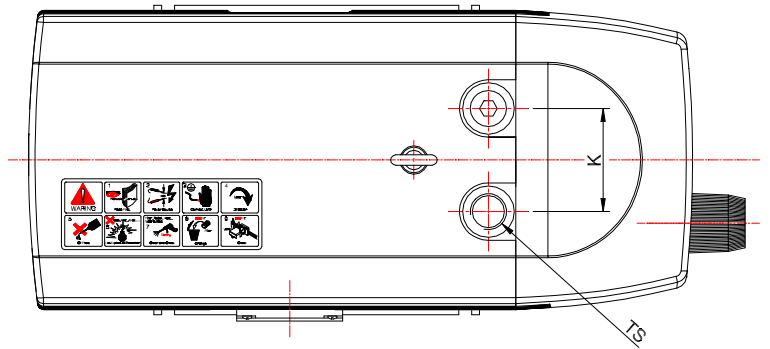


Model	VRT4.10		
	50Hz	60Hz	
Speed	m <sup>3</sup> /h	10	12
Pressure	m bar hPa	150	
Power	(3~)kW	0,37	0,37
Rpm	n/m in	1400	1700
Noise (1 Metre)	dB(A)	58	60
Operating Temp *	°C	72÷78	75÷80
Weight	kg	21	
Connection		1/2" G	

(\*) Ambient temperature 20<sup>0</sup> C



## Dimensions



Model	A	B	C	D	E	F	G	H	J	K	L	M	N	O	P	R	TS
VRT 410	202	233	308	200	125	157	91	275	232	75	433	465	20	130	167	Ø9	PF 1/2

# Rotary Vane Vacuum Pumps

Oil free

VRT4.16 VRT4.25 VRT4.40



Air Cooled Design

Zepher UK Ltd  
Unit 2 Radnor Park Trading Estate  
Back Lane Congleton  
Cheshire CW12 4XJ  
Tel: 01260 272800  
Fax: 01260 272444

# Rotary Vane Vacuum Pumps

## VRT4.16 VRT4.25 VRT4.40

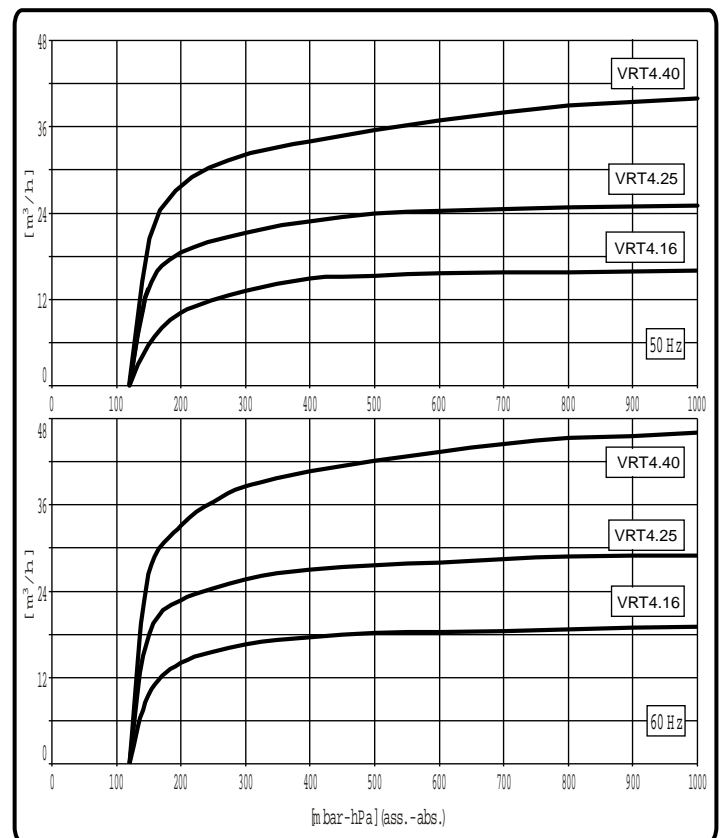


- Extremely reliable for many industrial applications
- Less vanes than other rotary vane vacuum pumps
- Longer vane life and less vane replacement
- Heavy duty construction
- Compact design, small footprint
- Low noise level
- Air cooled design
- Direct drive
- Easy to install

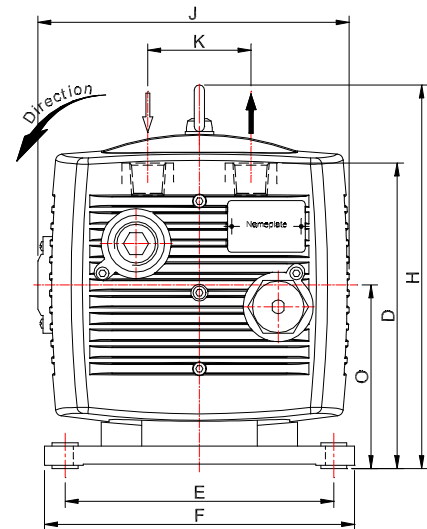
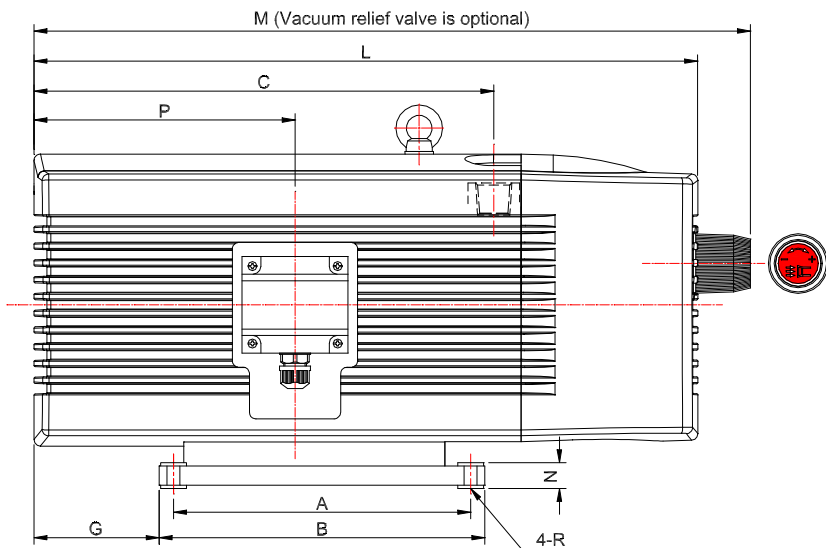
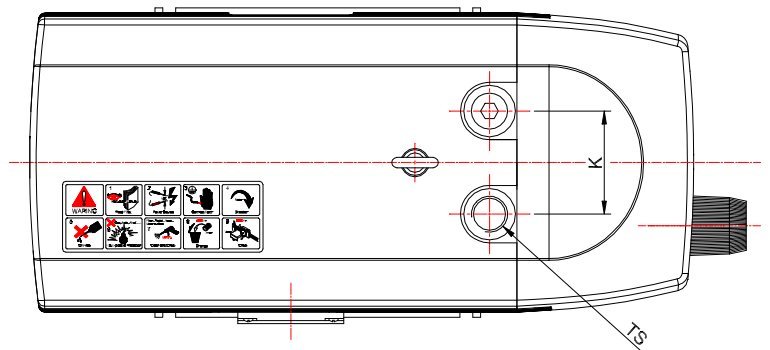


Model	VRT4.16		VRT4.25		VRT4.40			
	50Hz	60Hz	50Hz	60Hz	50Hz	60Hz		
Speed	m <sup>3</sup> /h		16	19	25	30	40	48
Pressure	m bar hPa		150		120			
Power	(3~)kW		0,55	0,55	0,9	0,9	1,25	1,25
Rpm	n/m in		1400	1700	1400	1700	1400	1700
Noise (1 Metre)	dB(A)		59	61	60	62	65	68
Operating Temp *	°C		70÷73	75÷80	70÷73	72÷75	72÷78	75÷80
Weight	kg		24		32		38	
Connection			1/2" G		3/4" G			

(\*) Ambient temperature 20<sup>0</sup> C



## Dimensions



Model	A	B	C	D	E	F	G	H	J	K	L	M	N	O	P	R	TS
VRT 416	202	233	327	200	125	157	91	275	232	75	458	490	20	130	167	Ø9	PF 1/2
VRT 425	220	252	353	230	208	240	123	295	243	80	513	555	20	143	192	Ø9	PF 3/4
VRT 440	220	252	400	230	208	240	153	295	243	80	570	615	20	143	223	Ø9	PF 3/4

# Rotary Vane Vacuum Pumps

Oil free

VRT4.60    VRT4.80



Air Cooled Design

# Rotary Vane Vacuum Pumps

## VRT4.60 VRT4.80

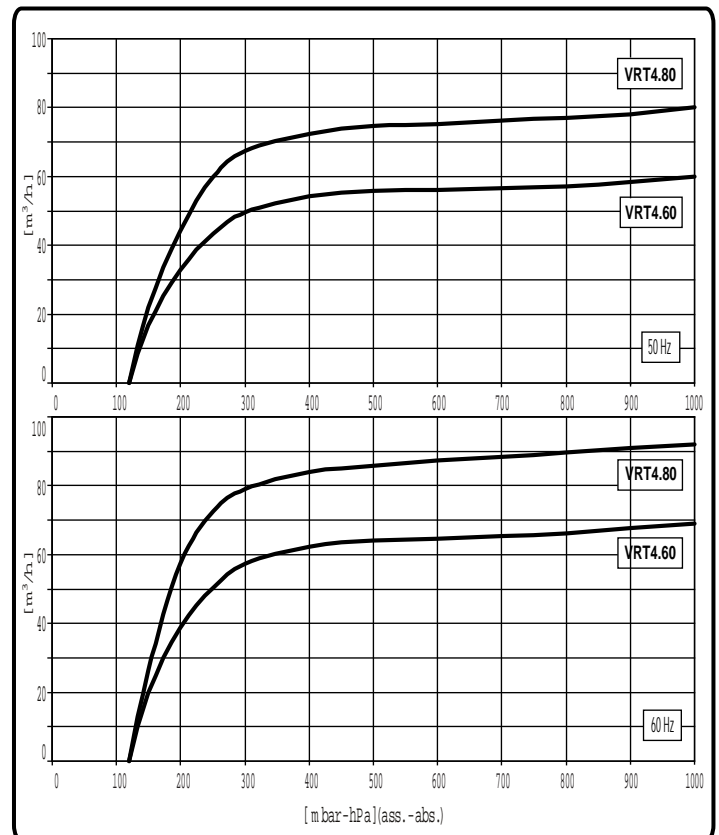


- Extremely reliable for many industrial applications
- Less vanes than other rotary vane vacuum pumps
- Longer vane life and less vane replacement
- Heavy duty construction
- Compact design, small footprint
- Low noise level
- Air cooled design
- Direct drive
- Easy to install



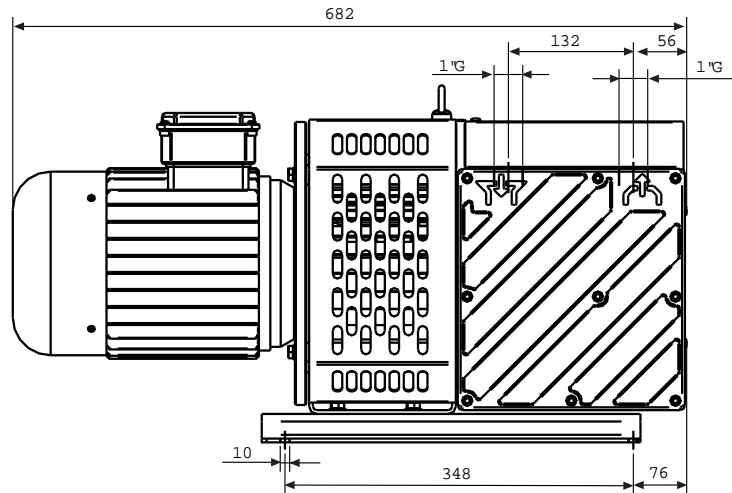
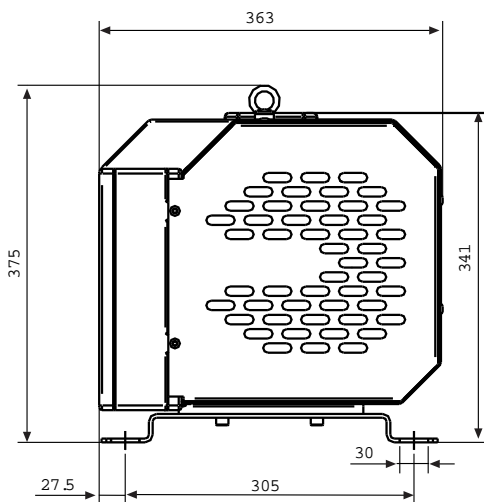
Model	VRT4.60		VRT4.80		
	50Hz	60Hz	50Hz	60Hz	
Speed	m <sup>3</sup> /h	60	70	80	90
Pressure	m bar hPa	120			
Power	(3~)kW	1,5	1,8	2,2	2,7
Rpm	n/m ÷	1400	1700	1400	1700
Noise (1 Metre)	dB(A)	70	72	72	74
Operating Temp *	°C	70÷73	72÷75	72÷78	75÷80
Weight	kg	73		77	
Connection		1" G			

(\*) Ambient temperature 20°C

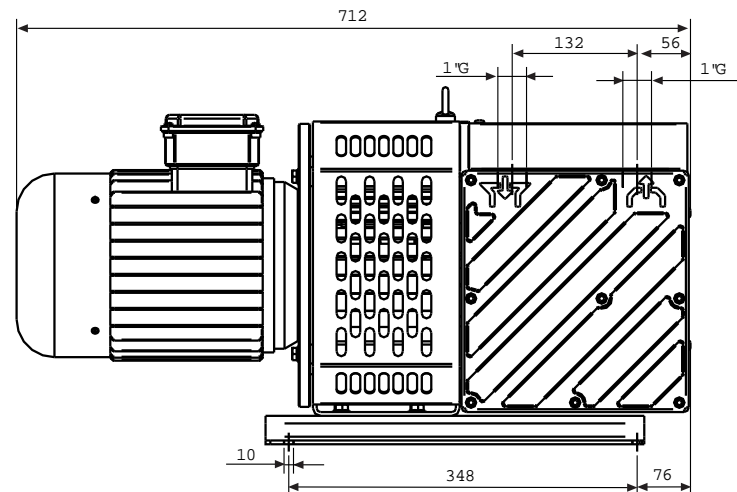
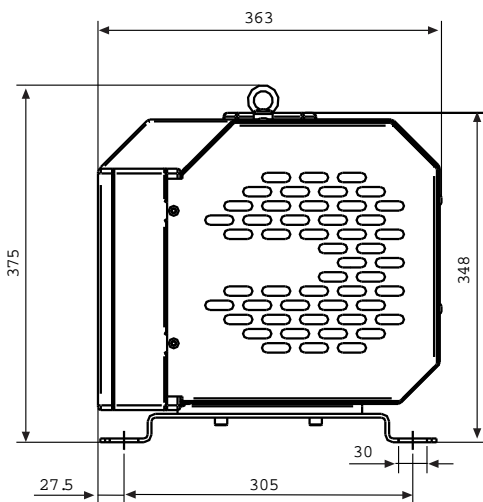


## Dimensions

### VRT4.60



### VRT4.80



Zepher Vacuum Pumps are Manufactured in Accordance to:

EN 1012-1 EN 1012-2 / Compress ors and Vacuum pumps

EN ISO 12100-1 EN ISO 12100-2 EN 294 / Safety of machinery

EN 60034 / Rotating electrical machines EN 60204-1 / E lectrical equipment of machines

Zepher UK Ltd  
Unit 2 Radnor Park Trading Estate  
Back Lane Congleton  
Cheshire CW12 4XJ  
Tel: 01260 272800  
Fax: 01260 272444

Rotary Vane Vacuum Pumps  
Oil free

VRT4.100 VRT4.140



Air Cooled Design

Zepher UK Ltd  
Unit 2 Radnor Park Trading Estate  
Back Lane Congleton  
Cheshire CW12 4XJ  
Tel: 01260 272800  
Fax: 01260 272444

# Rotary Vane Vacuum Pumps

## VRT4.100 VRT4.140

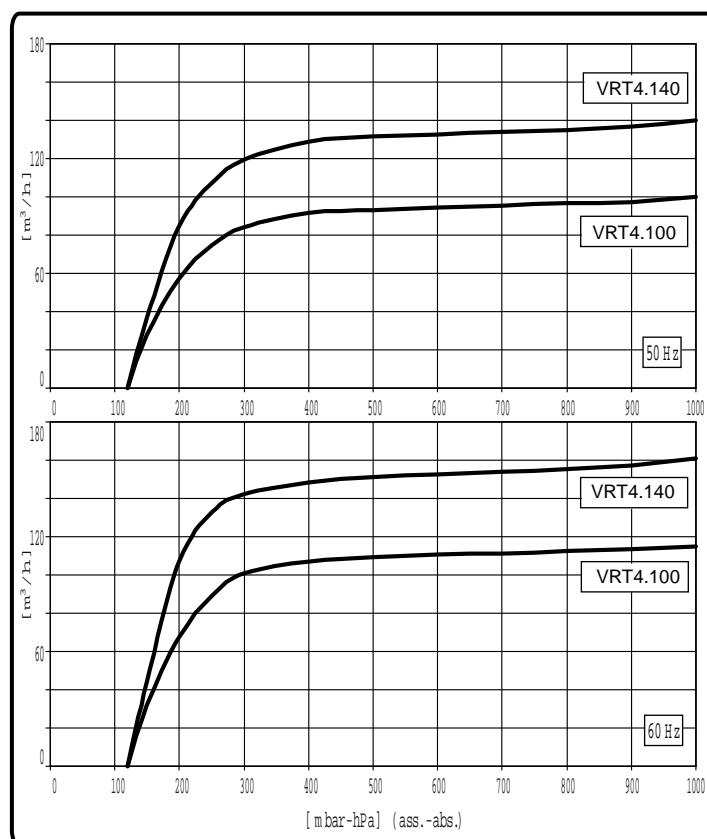


- Extremely reliable for many industrial applications
- Less vanes than other rotary vane vacuum pumps
- Longer vane life and less vane replacement
- Heavy duty construction
- Compact design, small footprint
- Low noise level
- Air cooled design
- Direct drive
- Easy to install



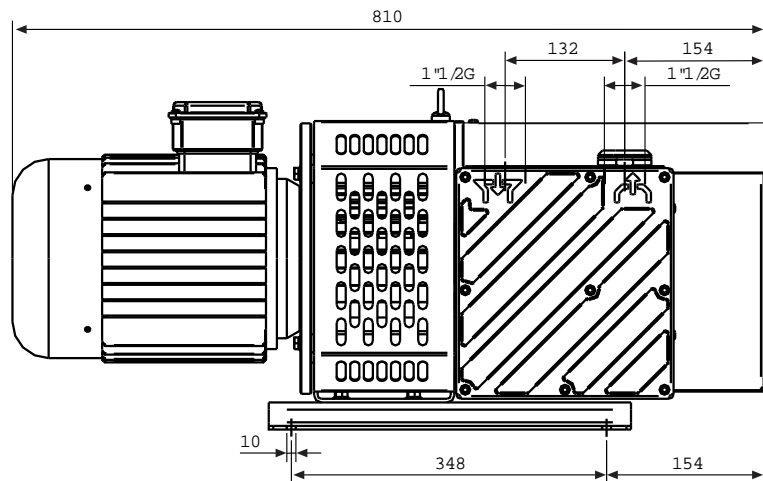
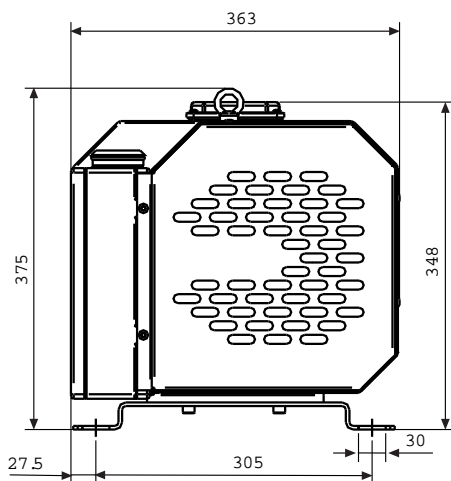
Model	VRT4.100		VRT4.140		
	50Hz	60Hz	50Hz	60Hz	
Speed	m <sup>3</sup> /h	100	115	140	160
Pressure	m bar hPa	120			
Power	(3~)kW	3	3,6	4	4,8
Rpm	r/m ñ	1400	1700	1400	1700
Noise (1 Metre)	dB(A)	75	77	76	78
Operating Temp *	°C	78÷82	80÷85	80÷83	85÷90
Weight	kg	98		102	
Connection		1 1/2 G"			

(\*) Ambient temperature 20<sup>0</sup>C

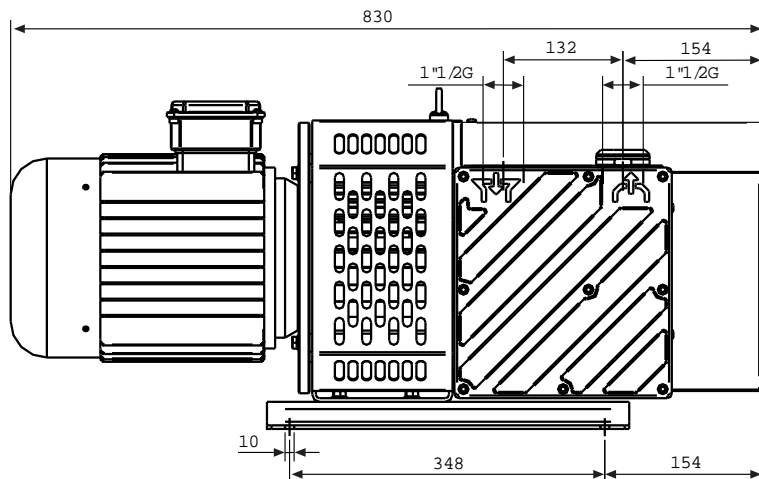
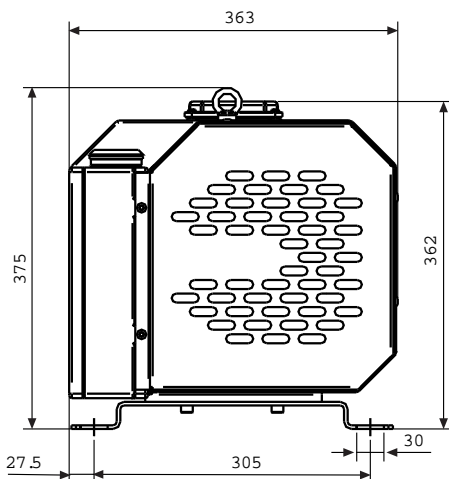


## Dimensions

### VRT4.100



### VRT4.140



Zepher Vacuum Pumps are Manufactured in Accordance to:

EN 1012-1 EN 1012-2 / Compressors and Vacuum pumps

EN ISO 12100-1 EN ISO 12100-2 EN 294 / Safety of machinery

EN 60034 / Rotating electrical machines EN 60204-1 / Electrical equipment of machines

Zepher UK Ltd  
Unit 2 Radnor Park Trading Estate  
Back Lane Congleton  
Cheshire CW12 4XJ  
Tel: 01260 272800  
Fax: 01260 272444